



Important: Read and save these instructions. This guide to be left with equipment.



BLOWER PACK

**For Nortec RH
Series**

Installation Manual

Includes installation for the Blower Pack with the Nortec RH Series Humidifier.

This Installation Manual is intended to be used in conjunction with the Nortec RH Series Installation Manual.



Thank you for choosing Condair.

INSTALLATION DATE (MM/DD/YYYY)

MODEL #

SERIAL #

Proprietary Notice

This document and the information disclosed herein are proprietary data of **Condair Ltd.** Neither this document nor the information contained herein shall be reproduced, used, or disclosed to others without the written authorization of **Condair Ltd.**, except to the extent required for installation or maintenance of recipient's equipment.

Liability Notice

Condair does not accept any liability for installations of humidity equipment installed by unqualified personnel or the use of parts/components/equipment that are not authorized or approved by Condair.

Copyright Notice

Copyright 2018, **Condair**. All rights reserved

Remote Mounting of the Blower Pack with Nortec RH Series

1. This installation guide is intended to be used in conjunction with the Nortec RH Series installation manual.
2. The remote mounted blower should be located at least 7' off the floor to prevent the discharged steam from coming in contact with pedestrian traffic or any obstructions.
3. When installing the remote blower pack, ensure the primary voltage to the Nortec RH Series has been switched off at the electrical panel, or that it is unplugged.
4. Find a suitable location for mounting the remote blower pack. The surface should be flat with adequate clearances for the top, side, and front:

Table 1: Clearances of Remote Mounted Blower Pack with Nortec RH Series @ 100% Capacity

Operating Voltage	Minimum Ceiling Clearance inches (cm)	Minimum Side Clearance inches (cm)	Minimum Frontal Clearance inches (cm)
110-120V	8" (20.2 cm)	5" (12.7 cm)	50" (127 cm)
208V	55" (139.7 cm)	15" (38.1 cm)	73" (185.4 cm)
220-240V	62" (157.5 cm)	16" (40.6 cm)	74" (187.95 cm)

*Nominal conditions 70°F, 40% RH

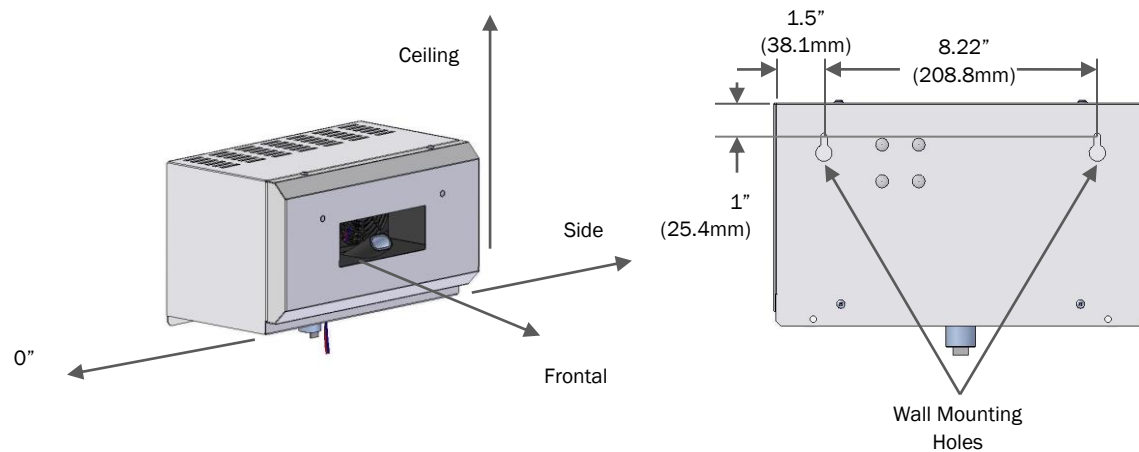


Figure 1: Blower Pack for Nortec RH Series - Clearances & Mounting

5. The blower pack has two teardrop (or keyhole) openings on the back of the cabinet for mounting purposes. They are located 8 ¼" apart, and 1" from the top of the blower pack cabinet.
6. Measure the screw locations and use two #8 screws, 2" long. The screws should be anchored in a standard 2" x 4" wood stud or equivalent to ensure adequate support of the blower pack and connecting steam hose.

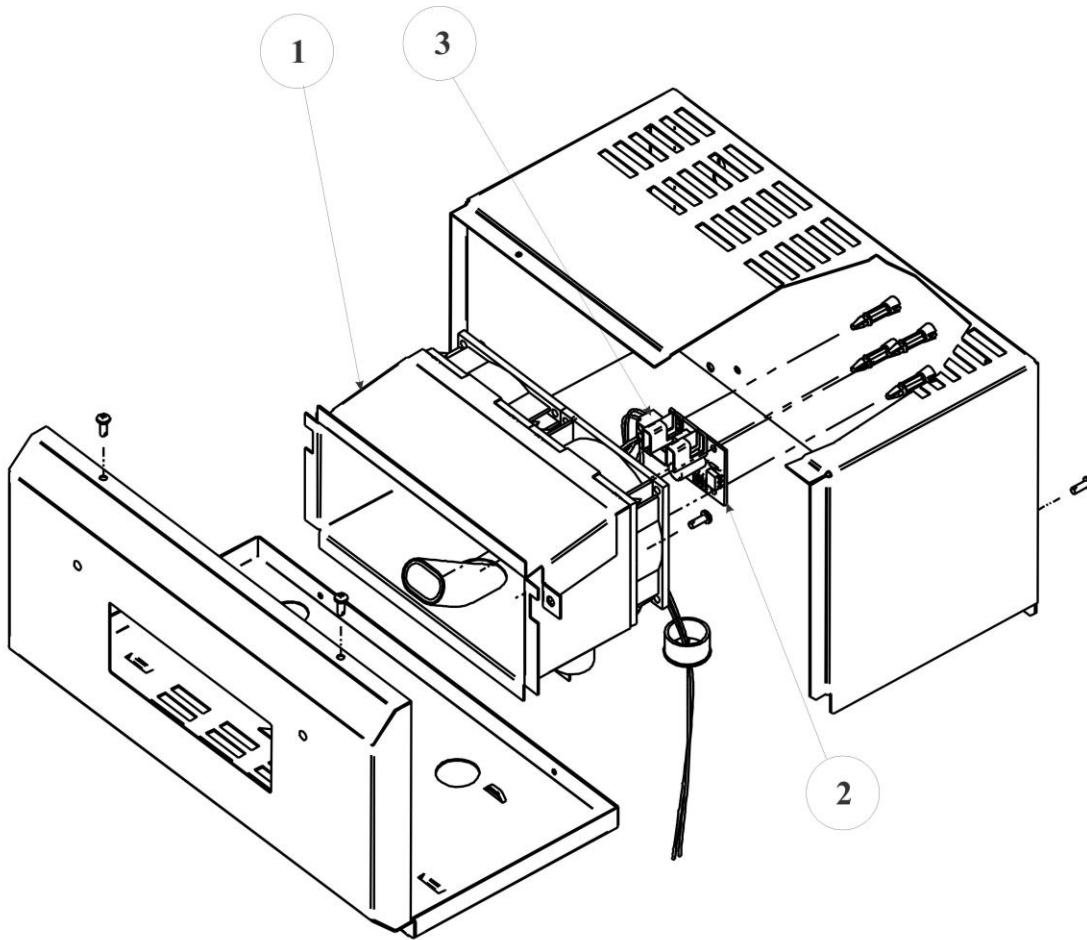
7. Remove the front cover from the humidifier.
8. Install the steam line as per the Nortec RH Series installation manual.
Note: Maximum recommended length of steam line is: 8 ft. for 5lbs/hr, 15 ft. for 10lbs/hr.
9. Put the power leads from the blower pack through knock out at the bottom right of the unit.
10. Connect the power leads for the blower pack to the terminal 19 and 20 on the Nortec RH Series' control terminal strip.
Note: Improper wiring could damage the blower pack or the Nortec RH Series PCB.
11. Replace the front cover on the humidifier.
12. Once the power is restored, the Nortec RH Series humidifier is ready for use.

Remote Mounting of the Blower Pack with the ResDelux

The Blower Pack can be combined with the previous residential humidifier model, the ResDelux. The Blower Pack Kit contains a supplementary set of cables to link the Blower Pack to the humidifier. To properly mate the new Blower Pack with the ResDelux humidifier, follow these steps:

1. Open up Blower Pack.
2. Replace with supplementary wire harness provided.
3. Hookup is described in ResDelux manual.
4. Run new wire harness in same location as previous wire.
5. Close Blower Pack.

Note: If more length between humidifier and Blower Pack is required, extend the harness by adding additional wire (by others). Suitable wire is 18 AWG.



Part Number	Description
1581312	Blower Fan Assembly
2548008	Power Supply
2548211	Wire Harness BP built in

Figure 2: Spare Parts – Blower Pack for Nortec RH Series

U.S.A.
826 Proctor Avenue
Ogdensburg, NY 13669

CANADA
2740 Fenton Road
Ottawa, Ontario K1T 3T7

TEL: 1.866.667.8321
FAX: 613.822.7964

EMAIL: na.info@condair.com



ISO 9001
QMS-SAI Global



 **condair**